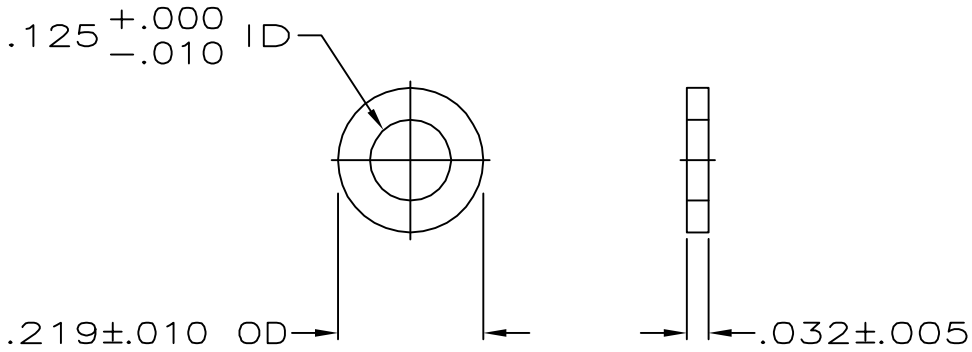


DRAWING MADE IN THIRD ANGLE PROJECTION

LOC	DIST	REVISIONS			
P	F	LTR	DESCRIPTION	DATE	APPROVED
GP	00				
		BI	REVISE PER ECO-06-020811	16/OCT/06	C. ROHDE



- 1 ZINC PLATED PER ASTM B633, TYPE II, CLASS SC1, (.000197-.000400), YELLOW CHROMATE.
- 2 ZINC PLATED PER ASTM B633, TYPE II, CLASS SC1, (.000197-.000400), CLEAR CHROMATE.

THIS DRAWING IS UNPUBLISHED. © COPYRIGHT 19 BY AMP INCORPORATED. ALL INTERNATIONAL RIGHTS RESERVED.

OBSOLETE	2	205820-3
	1	205820-2
	FINISH	PART NO

DO NOT SCALE PRINT. UNLESS SPECIFIED DIMENSIONS IN INCHES TOLERANCES ON: 2 PLC DEC ± - 3 PLC DEC ± - ANGLES ± -	DR 6-6-88 C.RICHARD	AMP INCORPORATED Harrisburg, Pa. 17105
	CHK 6-15-88 W.G.LENKER	
MATERIAL COLD ROLLED STEEL PER ASTM A108	APPD 6-16-88 R.N.WHYNE	NAME WASHER, PLAIN, #4, AMPLIMITE®
FINISH SEE TABLE	APPD 6-17-90 V.KUMAR	SIZE <b>A</b>
	PRODUCT SPEC -	FSCM NO 00779
	APPLICATION SPEC -	DRAWING NO 205820
	WEIGHT -	SCALE 4:1
		SHEET 1 of 1
		REV B1

AMP 1469-32 REV 3-87

Translated 061016.100100 (YYMMDD.HHMMSS) from  
Computervision, Inc., Medusa Revision 12.2.5T

CUSTOMER DRAWING